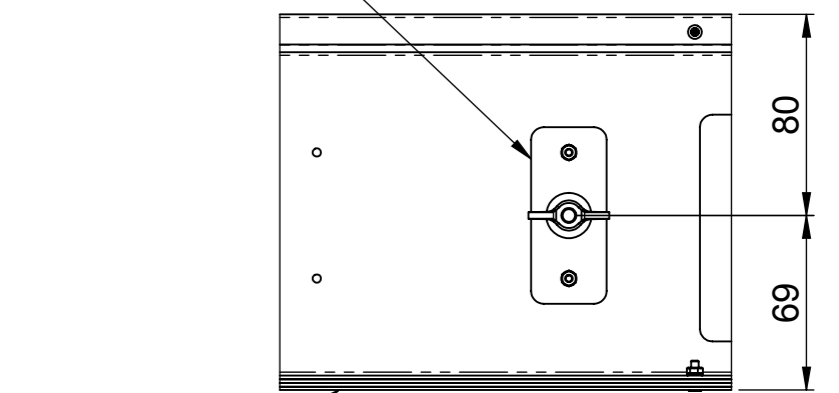
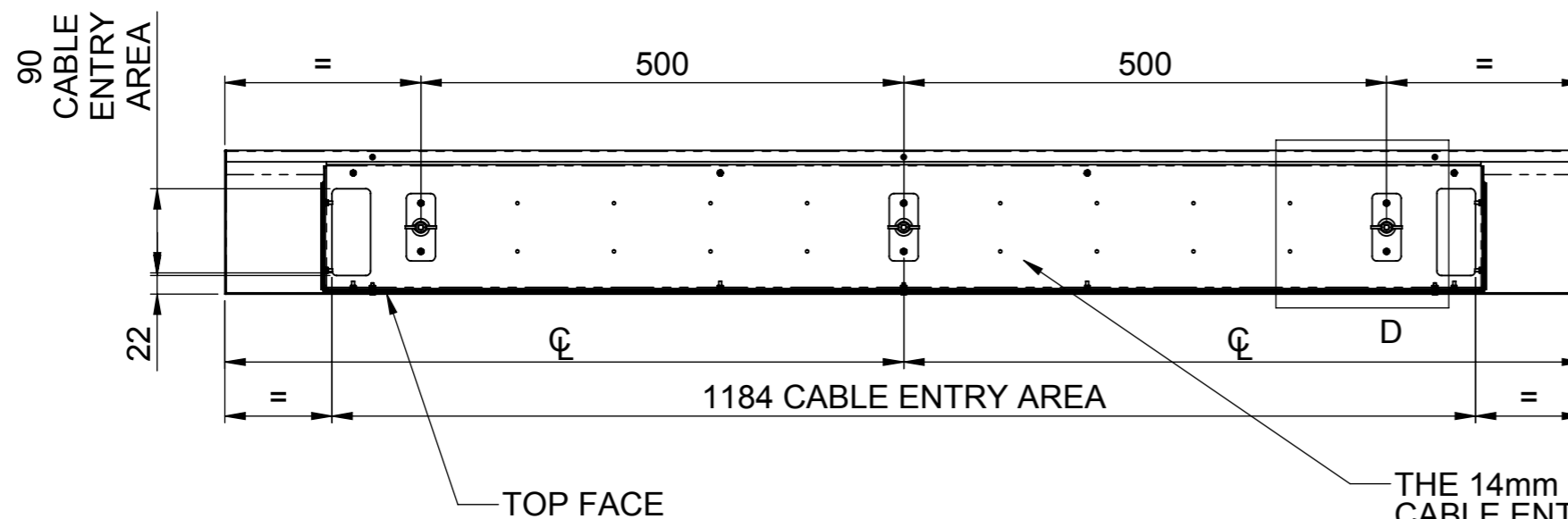


THESE BRACKETS
CAN BE ALTERED
AT 100mm CENTRES
TO SUIT DESIGN
OF LIFT CAR



DETAIL D
SCALE 1 : 3

MATERIAL: GALVERNIZED & GRADE 316 SATIN ST/ST - 30 x 149 x 1250 lg.

QUANTITY : 2 PER LIFT CAR REQUIRED

FINISH: POLISHED



INTERNATIONAL LIFT EQUIPMENT GROUP
WANLIP ROAD,
SYSTON,
LEICESTER
LE7 1PD.
TEL 0116 2690900
FAX 0116 2690939



TITLE : MEDIUM L.E.D SIDE LIGHT PL0684
1250 x 149 OVERALL

FOR : ?
?

PROPRIETARY AND CONFIDENTIAL

THE INFORMATION CONTAINED IN THIS DRAWING IS THE SOLE PROPERTY OF INTERNATIONAL LIFT EQUIPMENT GROUP. ANY REPRODUCTION IN PART OR AS A WHOLE WITHOUT WRITTEN PERMISSION IS PROHIBITED

UNLESS OTHERWISE SPECIFIED

DIMENSIONS ARE IN MILLIMETERS
GENERAL TOLERANCES FOR SHEET METAL PARTS : ± 0.5 mm
GENERAL TOLERANCES FOR FABRICATED PARTS : ± 1.5 mm

DATE 17/11/2011

DRAWN JM Soulsby

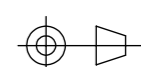
CHECKED M Miller

SCALE: 1:10

DO NOT SCALE DRAWING

WEIGHT
8.0Kg.

PROJECTION



W.O. No
*

DRAWING No

MECH 102 D18

REV.
*